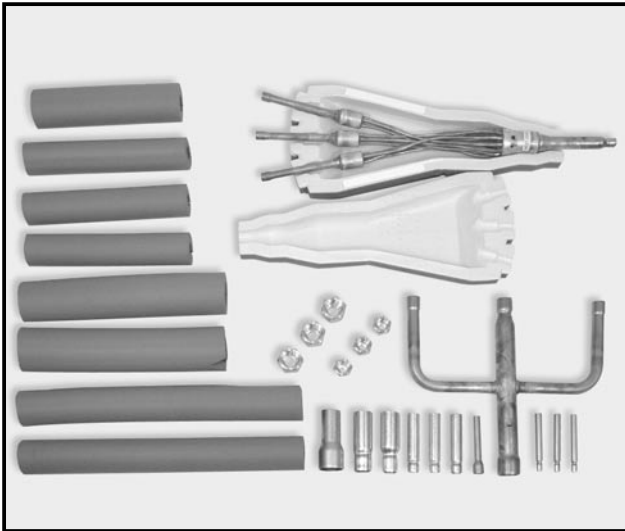


Photo



Descriptions

3-branch pipe for Multi-System Triple use.(33:33:33)

Applicable Models

- PU-P140/200/250
 - PUH-P140/200/250
 - PUHZ-RP140/200/250
- for 33:33:33 Triple use

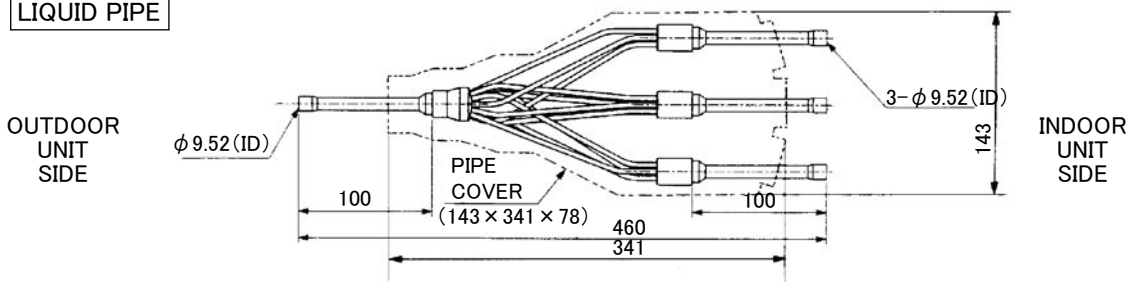
Specifications

Main body	Distribution ratio	Outdoor unit capacity is divided into three (33:33:33)
	Number of distribution pipes	1 each for liquid pipe and gas pipe
	Pipe material	Phosphate deoxidized copper C1220T-OL (JIS H3300)
Accessory	Pipe cover	Polyethylene foam molding (for liquid pipe) EPT sponge rubber type (for gas pipe)
	Joint	9 joints (5 types)

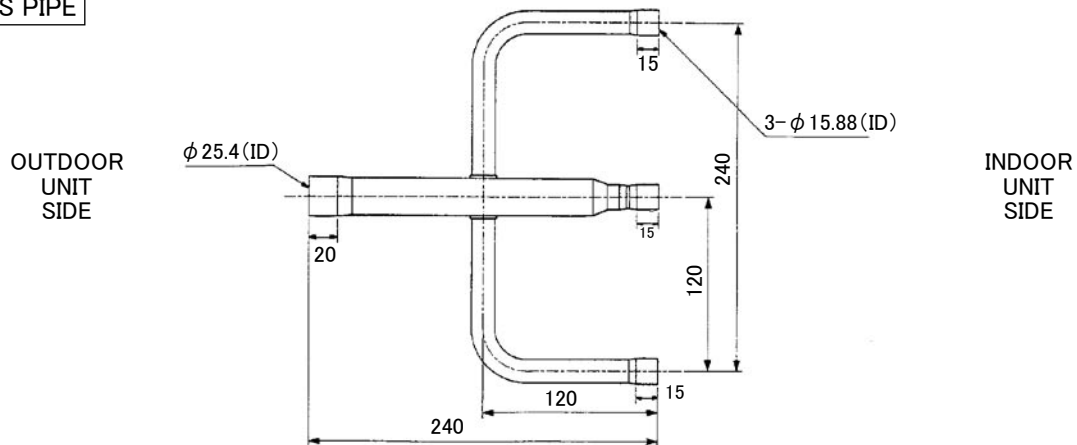
Dimensions

Unit : mm

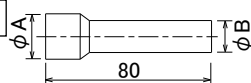
LIQUID PIPE



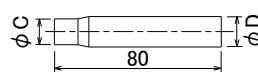
GAS PIPE



JOINT(Accessary)



ΦA(ID)	ΦB(OD)	Amount
12.7	9.52	1



ΦC(ID)	ΦD(OD)	Amount
12.7	15.88	3
19.05	25.4	1
6.35	9.52	3
15.88	25.4	1

How to Use / How to Install

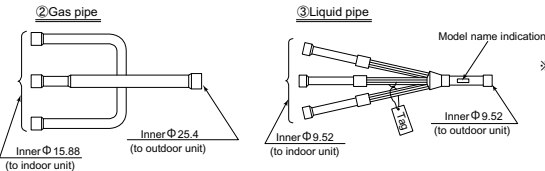
Package Air-conditioner Optional Parts Instruction Sheet for Simultaneous Triple Distributing Pipe exclusively used with Free Compo Multi-Units

MSDT-111R-E [Indoor unit same-capacity triple 33:33:33]..... Outdoor unit PU(H)-P6, 140GA type (R407C fixed speed)
 Outdoor unit PUHZ-RP6, 140HA type (R410A power inverter)
 Outdoor unit PUH-P8~10, 200~250MYA type (R407C fixed speed)
 Outdoor unit PUHZ-RP8~10, 200~250HA type (R410A power inverter)

• Make sure that you have all the following parts in packing box before beginning installation:

① Instruction sheet This sheet 1 sheet	② Gas pipe 1pc	③ Liquid pipe 1pc	④ Pipe cover (for gas pipe) With V cut 1pc	⑤⑥ Pipe covers (for gas pipe) ⑤ Outer Φ 50 × 250 - 1pc ⑥ Outer Φ 43 × 350 - 2pc	⑦ Pipe cover (for liquid pipe) 2pcs	⑧⑨ Pipe covers ⑧ Outer Φ 42 × 180 - 1pc ⑨ Outer Φ 38 × 200 - 3pcs	⑩ Bands 8pcs	⑪ Joint See Table 1.	⑫ Flare nut • 1/4F · 3pcs • 1/2F · 3pcs For R410A indoor unit.
---	-------------------	----------------------	--	---	--	---	-----------------	-------------------------	---

● See the following for the specifications of gas pipe ② and liquid pipe ③ :



Joint specifications and provided numbers (Table 1)

Sizes of joint pipe ends (mm)	Numbers provided
• Outer Φ 9.52 - Inner Φ 6.35	3
• Outer Φ 9.52 - Inner Φ 12.7	1
• Outer Φ 15.88 - Inner Φ 12.7	3
• Outer Φ 25.4 - Inner Φ 19.05	1
• Outer Φ 25.4 - Inner Φ 15.88	1
• Outer Φ 25.4 - Inner Φ 28.6	1

• Pipe size and limit to refrigerant pipe

■ For R407C fixed speed models

Outdoor unit capacity	Pipe size (mm)				Actual pipe length (m)			Height Difference (m)		Number of bends
	Gas pipe side		Liquid pipe side		Indoor-Outdoor	A+B+C+D=	Indoor-Outdoor	Indoor-Outdoor	Indoor-Outdoor	
	Outdoor unit side	Indoor unit side	Outdoor unit side	Indoor unit side						
140 (6Hp)	Φ 19.05 (3/4)		Φ 9.52 (3/8)		—	50m or less	B - C = B - D = C - D =	H = 40m or less	h = 1m or less	15 or less
200 (8Hp)	Φ 25.4 (1)	Φ 15.88 (5/8)	Φ 12.7 (1/2)	Φ 9.52 (3/8)	A + B = A + C = A + D = 50m or less	70m or less	8m or less	H = 40m or less	h = 1m or less	15 or less
250 (10Hp)	Φ 28.6 (1-1/8)									

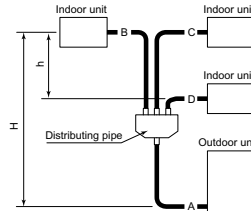
■ For R410A Power Inverter models

Outdoor unit capacity	Pipe size (mm)				Actual pipe length (m)			Height Difference (m)		Number of bends
	Gas pipe side		Liquid pipe side		Indoor-Outdoor	A+B+C+D=	Indoor-Outdoor	Indoor-Outdoor	Indoor-Outdoor	
	Outdoor unit side	Indoor unit side	Outdoor unit side	Indoor unit side						
140 (6Hp)	Φ 15.88 (5/8)	Φ 12.7 (1/2)	Φ 9.52 (3/8)	Φ 6.35 (1/4)	—	75m or less	B - C =	H = 30m or less	h = 1m or less	15 or less
200 (8Hp)	Φ 25.4 (1)	Φ 15.88 (5/8)	Φ 12.7 (1/2)	Φ 9.52 (3/8)	A + B = A + C = A + D = 80m or less	80m or less	8m or less	H = 40m or less	h = 1m or less	15 or less
250 (10Hp)	Φ 28.6 (1-1/8)									

Note 1: Limit the number of bends for refrigerant pipes to 8 in each of the (A+B), (A+C) and (A+D) ranges.

※ See the installation manual provided with the main unit for details on charge-less pipe length and refrigerant additional charge amount.

(Fig. 1)



• Pipe connections

- Perform work, taking care with the following:
 - Be sure to check the combination pattern of indoor and outdoor units, joints to be used (Table 3), pipe size (Table 1) and joint used (I).
 - Be sure to observe the limits to refrigerant pipe length and number of bends (Table 2).
 - Insert the refrigerant pipe (procured at local site) and joint (I) into the expanded pipe portions of distributing pipe (this product) until they stop, and then connect them using anti-oxidizing soldering.
 - There is no restriction on the orientation of distributing pipe (this product) during installation.
 - Take care that no foreign object, such as dust, enters during pipe connecting work.
 - Remove the tag of liquid pipe (3) after checking it.
- Pipe connections
 - The provided joints (I) will be necessary depending on the capability of model used: See (Table 3), and connect the refrigerant piping.
 - Do not bend or widen the distributing pipe (liquid pipe).

Combination pattern of indoor and outdoor units and joints to be used:

■ For R407C fixed speed

Outdoor unit	Indoor unit	Joint to be used
140 (6Hp)	50+50 (2+2+2)	• Outer Φ 25.4 - inner Φ 19.05 (outdoor gas pipe side) × 1. • outer Φ 15.88 - inner Φ 12.7 × 3 (indoor gas pipe side)
200 (8Hp)	80+80 (2+5+2+5)	• Outer Φ 9.52 - inner Φ 12.7 (indoor gas pipe side) × 3
250 (10Hp)	71+71 (3+3+3)	• Outer Φ 25.4 - inner Φ 28.6 (outdoor gas pipe side) × 1

■ For R410A Power Inverter

Outdoor unit	Indoor unit	Joint to be used
140 (6Hp)	50+50 (2+2+2)	• Outer Φ 25.4 - inner Φ 15.88 (outdoor gas pipe side) × 1. • outer Φ 15.88 - inner Φ 12.7 (indoor gas pipe side) × 3. • outer Φ 9.52 - inner Φ 6.35 (indoor gas pipe side) × 3.
200 (8Hp)	80+80 (2+5+2+5)	No Joint is necessary
250 (10Hp)	71+71 (3+3+3)	• Outer Φ 9.52 - inner Φ 12.7 (outdoor liquid pipe side) × 1. • outer Φ 25.4 - inner Φ 28.6 (outdoor gas pipe side) × 1

※ Installation positions in brackets [].

• Heat insulation work

Notes:

- Cut off any surplus pipe cover to make appropriate length.
- Use pipe covers to completely cover the connection portions of refrigerant pipe (procured at local site), gas pipe (2) and liquid pipe (3).
- Cover the entire refrigerant pipe (procured at local site) with heat insulation material. When using generally available heat insulation material, make sure it is heat-resistant insulation material (at least 12 mm thick).

Please install contents other than this description on the main part of a product with an attached installation description, and use them as it.