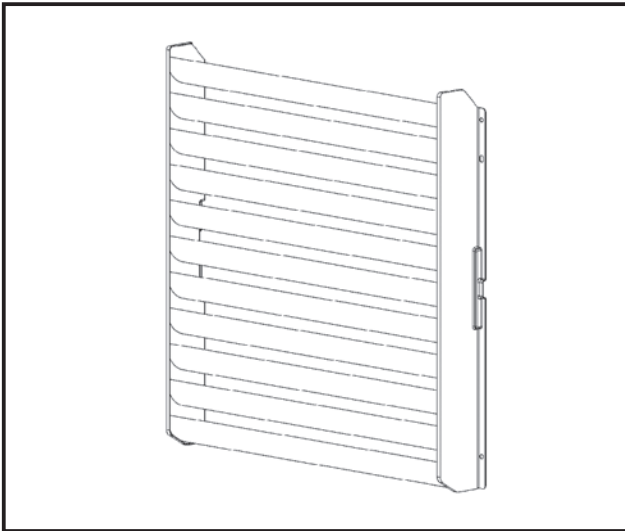




Photo



Descriptions

A part for changing the air direction from outdoor unit.
Can also be used to prevent short cycles.

Applicable Models

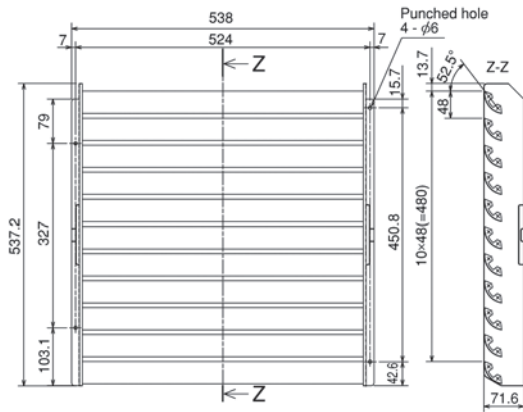
- MUZ-FD25/35/50VA(BH) ■ MU(H)-GD80VB
- MUZ-GE25/35/42/50VA(H) ■ MXZ-2A30/40/52VA
- MUZ-GA60/71VA
- MUZ-HC25/35VA(B)
- MU(H)-GA20/25/35/60VB
- MU(H)-GE50VB

Specifications

Exterior	Color (Munsell)	Ivory (3.0Y 7.8/1.1)
	Surface treatment	Polyester resin coating
	Material	Alloy hot-dip zinc-coated carbon steel sheet
Weight		2.6kg

Dimensions

Unit : mm



MAC-889SG

OPTIONAL PARTS

How to Use / How to Install

Selecting the installation location

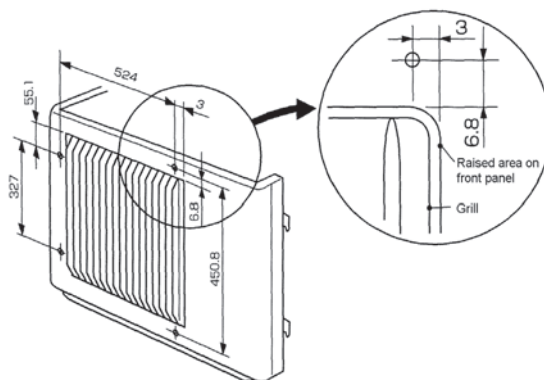
- To select a location for installation, refer to "Selecting the installation location" in the installation manual included with the unit.

1. Preparations before installation to the unit

(Depending on the size of the outdoor unit, the locations for the screw holes are different.)

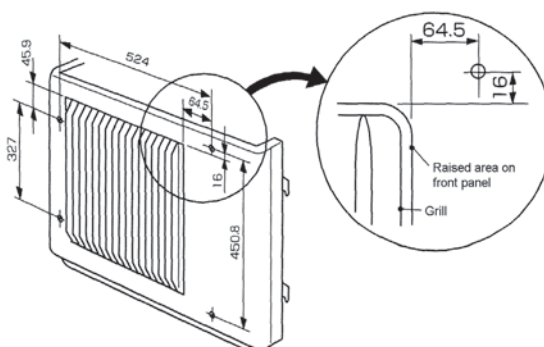
For 800(W)x550(H)x285(D) outdoor units

- Remove the front panel from the outdoor unit.
 - Drill $\varnothing 4.0$ mm screw holes in the front panel at the 4 locations shown at the right.
- (Be sure to remove the front panel before drilling the holes. Otherwise, the heat exchanger and electrical components could be damaged if the drill bit travels too far into the unit).



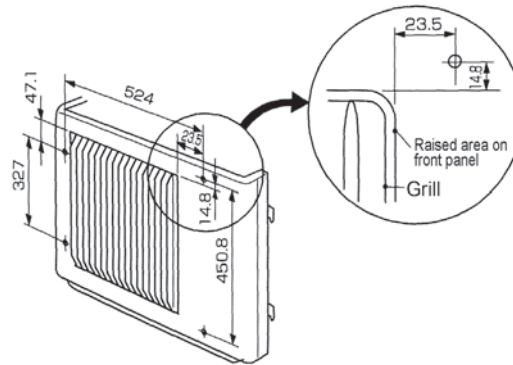
For 710(W)x540(H)x255(D) outdoor units

- Remove the front panel from the outdoor unit.
 - Drill $\varnothing 4.0$ mm screw holes in the front panel at the 4 locations shown at the right.
- (Be sure to remove the front panel before drilling the holes. Otherwise, the heat exchanger and electrical components could be damaged if the drill bit travels too far into the unit).



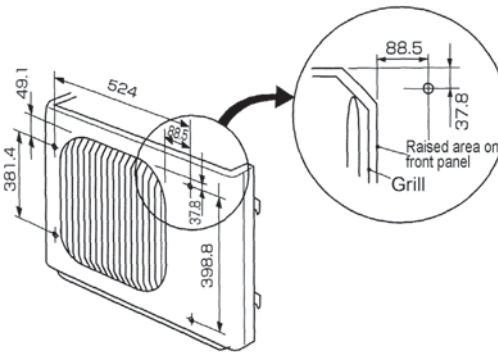
For 800(W)x600(H)x300(D) outdoor units

- Remove the front panel from the outdoor unit.
 - Drill $\varnothing 4.0$ mm screw holes in the front panel at the 4 locations shown at the right.
- (Be sure to remove the front panel before drilling the holes. Otherwise, the heat exchanger and electrical components could be damaged if the drill bit travels too far into the unit).



For 684(W)x540(H)x255(D) outdoor units

- Peel off the trademark.
 - Remove the front panel from the outdoor unit.
 - Drill $\varnothing 4.0$ mm screw holes in the front panel at the 4 locations shown at the right.
- (Be sure to remove the front panel before drilling the holes. Otherwise, the heat exchanger and electrical components could be damaged if the drill bit travels too far into the unit).

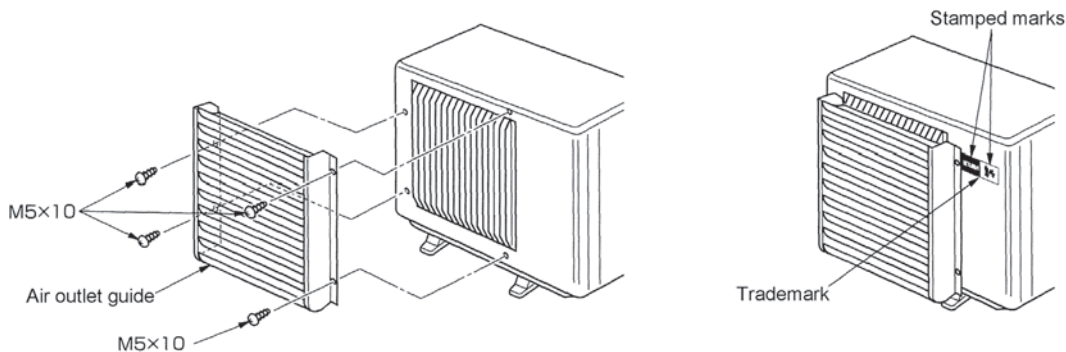


2. Installation to the unit

- Install the front panel to the outdoor unit.
 - Install the air outlet guide to the outdoor unit using the 4 included screws.*
(Install the guide so that the air will be directed upward.)
- *For 684(W)x540(H)x255(D) outdoor units, use oval holes for the upper right and lower left holes.
- Affix the trademark (for 684(W)x540(H)x255(D) outdoor units).
Affix the included trademark at the location of the stamped marks shown at the right.

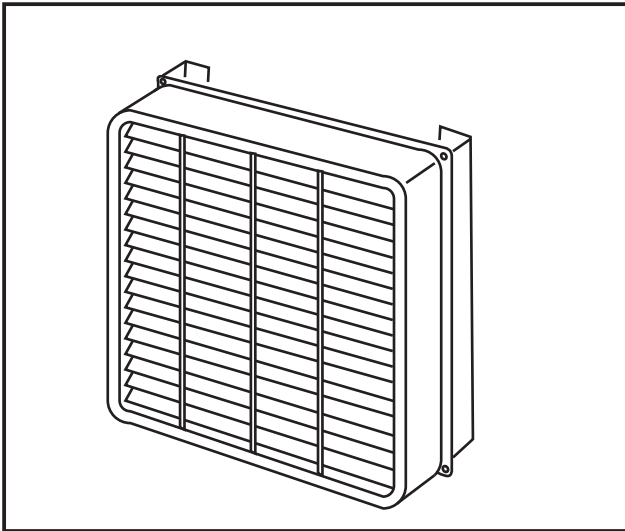
Note

- Be sure to securely tighten the screws. Otherwise, a chattering sound could be produced due to vibration if the screws are loose.





Photo



Descriptions

A part to change air direction from outdoor unit.
Can also be used to prevent short cycles.

Applicable Models

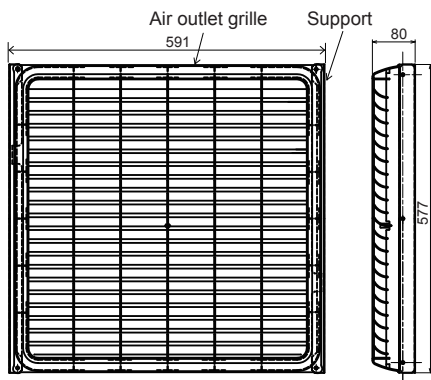
- MXZ-3A54VA ■ MXZ-4A80VA
- MXZ-4A71VA ■ MXZ-5A100VA

Specifications

Exterior	Color (Munsell)	Ivory (3.0Y7.8/1.1)
	Material	Air outlet grille: PP resin
Air outlet direction		Changeable between up and down
Accessory name × Qty. <Material/Surface treatment>		Support A × 2 (Alloy hot-dip zinc-coated carbon steel sheet / Acrylic resin coating) Support B × 2 (Alloy hot-dip zinc-coated carbon steel sheet / Acrylic resin coating) Screw (5×10) × 14 (Iron/Zinc nickel alloy plated)

Dimensions

Unit : mm

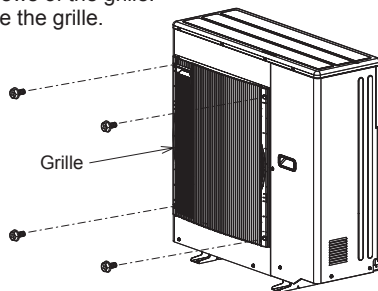


Components

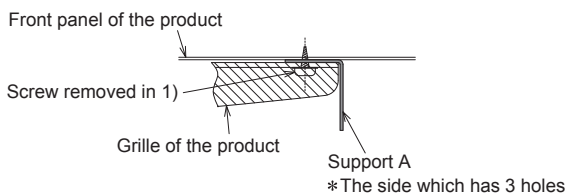
① Air outlet guide x1	② Support A x2	③ Support B x2	④ Screw 5×10 x14

How to Use / How to Install

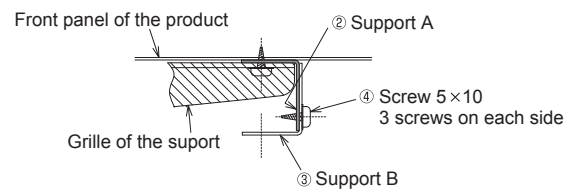
- Remove 4 fixing screws of the grille.
Note) Do not remove the grille.



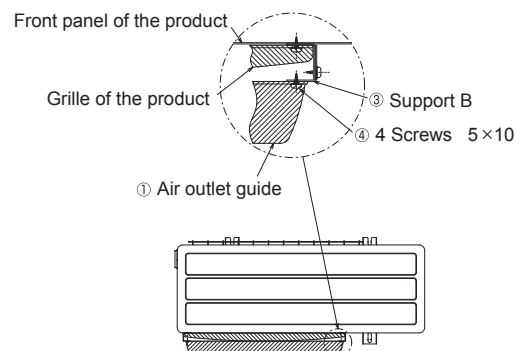
- Insert the support A between the product and the grille, and reinstall the screws that removed in 1).
Note) Support A for right side and left side are identical with each other. The side which has 2 holes should face the product, and the other side which has 3 holes faces the outside.



- Fix the support B to the support A with 3 screws (5×10) on each right and left side.



- Fix the air outlet guide to the support B with 4 screws 5 × 10.
* The directons of the air outlet can be selected from 4 directions, up, down, left, and right. Choose the appropriate direction according to the installation environment.



OPTIONAL PARTS